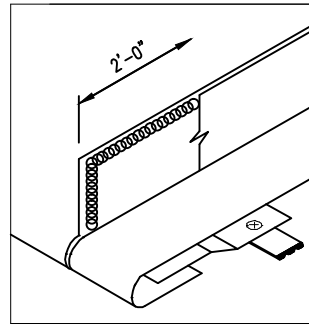


FIELD NOTCH PANEL LEGS AND BEND PAN TO FORM OPEN HEM



FIELD APPLY BEAD OF URETHANE SEALANT TO VERTICAL LEG OF PANEL BEFORE INSTALLING ADJACENT PANEL

**PANEL ENGAGEMENT DETAIL**

**VALLEY SEALANT DETAIL**

