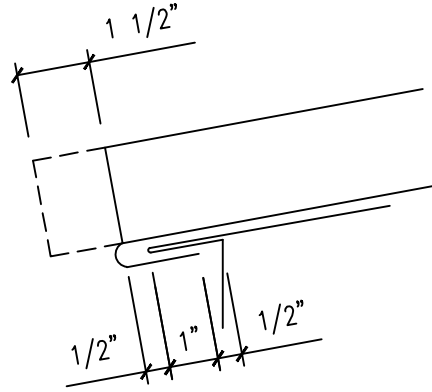
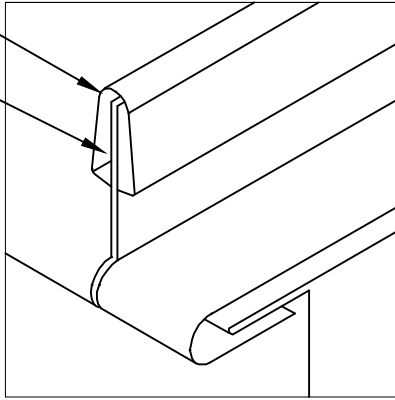


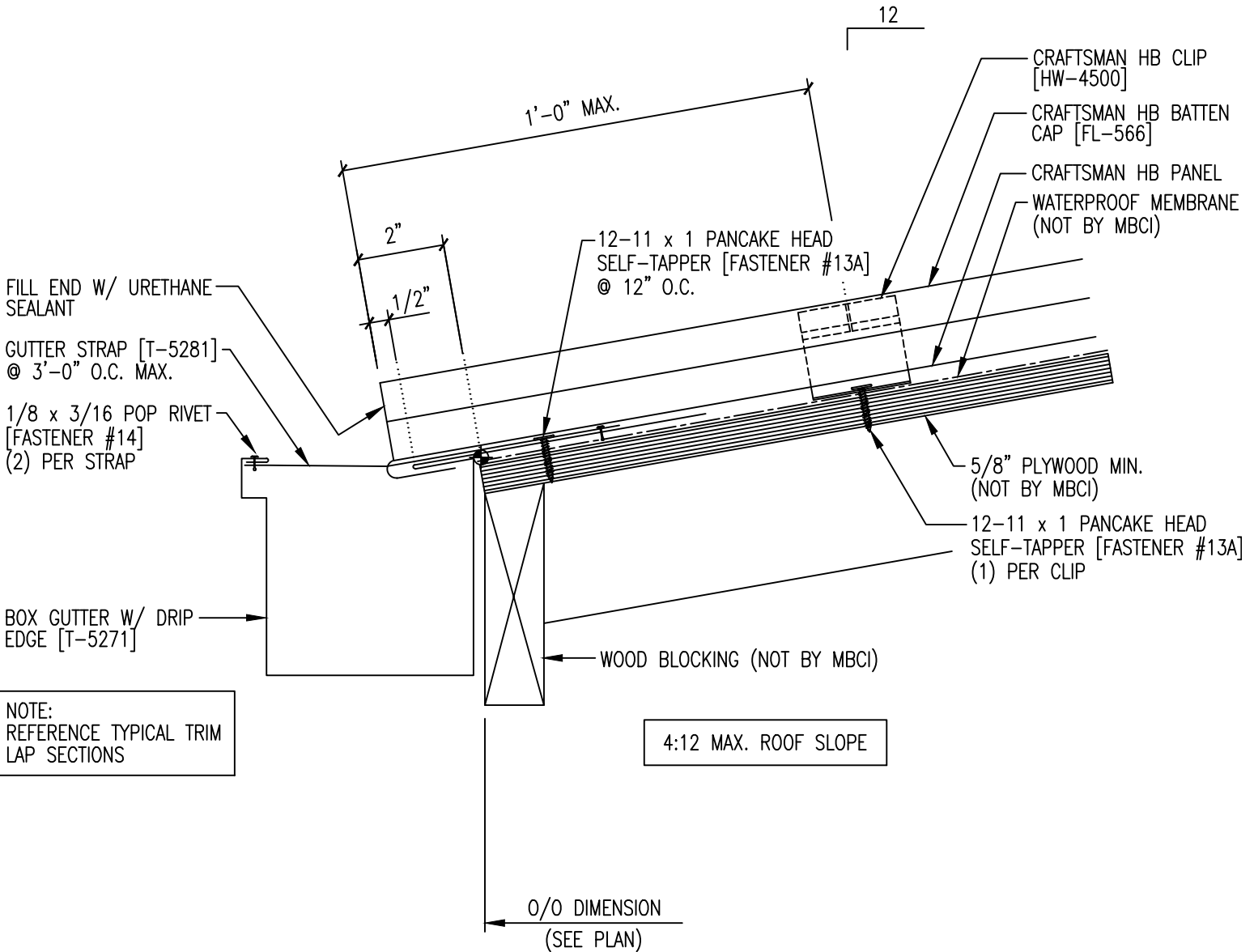
CRAFTSMAN HB BATTEN
CAP [FL-566]

FILL END W/ URETHANE
SEALANT



FIELD NOTCH PANEL
LEGS AND BEND PAN
TO FORM OPEN HEM

PANEL ENGAGEMENT DETAIL



FILL END W/ URETHANE
SEALANT

GUTTER STRAP [T-5281]
@ 3'-0" O.C. MAX.

1/8 x 3/16 POP RIVET
[FASTENER #14]
(2) PER STRAP

BOX GUTTER W/ DRIP
EDGE [T-5271]

NOTE:
REFERENCE TYPICAL TRIM
LAP SECTIONS

1'-0" MAX.

12-11 x 1 PANCAKE HEAD
SELF-TAPPER [FASTENER #13A]
@ 12" O.C.

12-11 x 1 PANCAKE HEAD
SELF-TAPPER [FASTENER #13A]
(1) PER CLIP

WOOD BLOCKING (NOT BY MBCI)

4:12 MAX. ROOF SLOPE

O/O DIMENSION
(SEE PLAN)