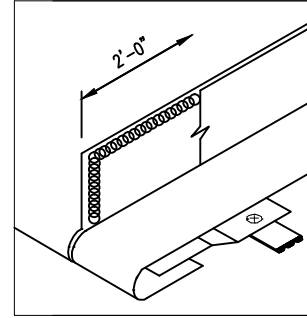


FIELD NOTCH PANEL LEGS AND BEND PAN TO FORM OPEN HEM



FIELD APPLY BEAD OF URETHANE SEALANT TO VERTICAL LEG OF PANEL BEFORE INSTALLING ADJACENT PANEL

PANEL ENGAGEMENT DETAIL

VALLEY SEALANT DETAIL

