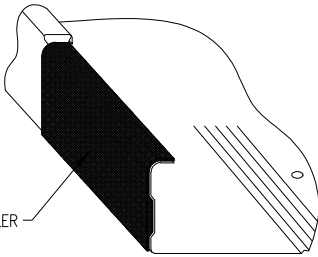
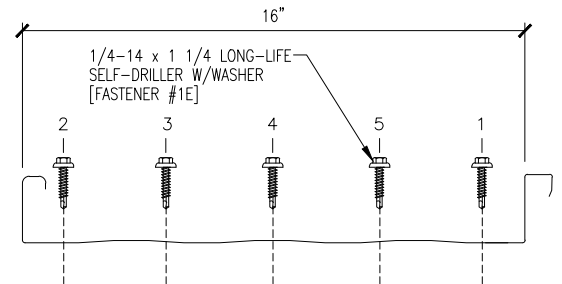
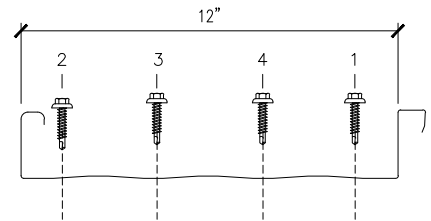
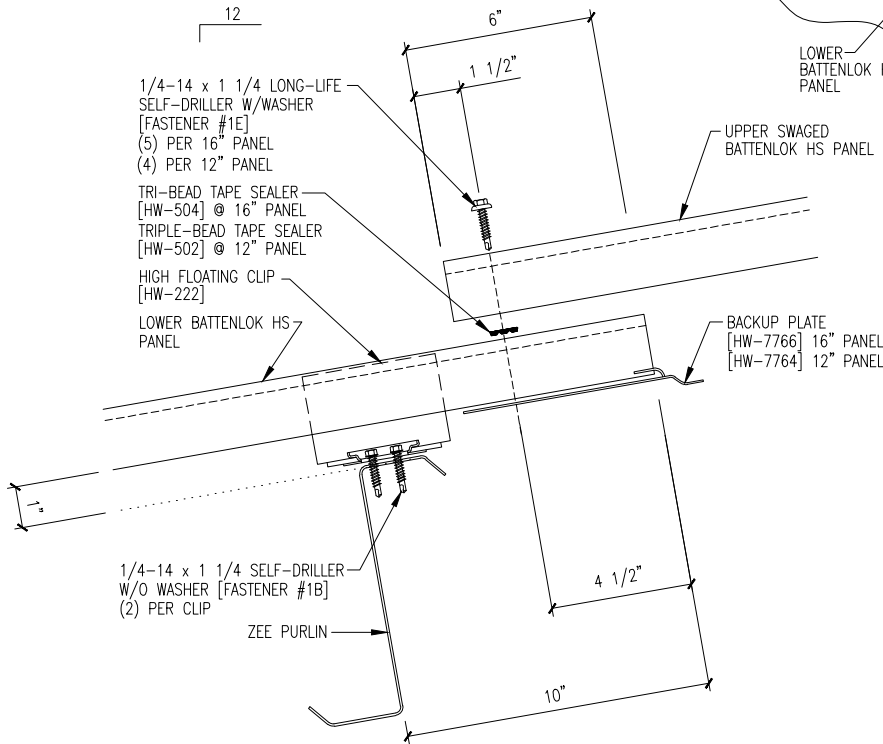
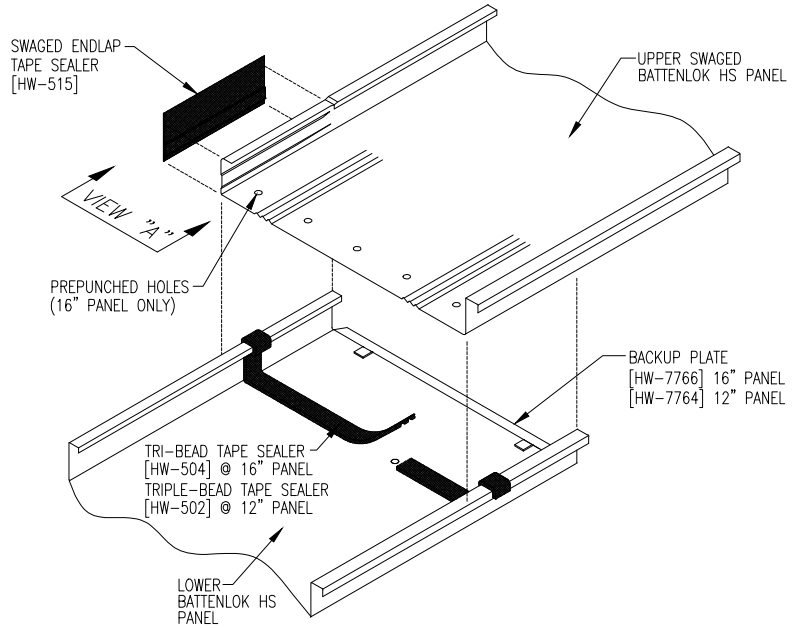


SWAGED ENDLAP TAPE SEALER
[HW-515]



VIEW "A"



FASTENER INSTALLATION SEQUENCE