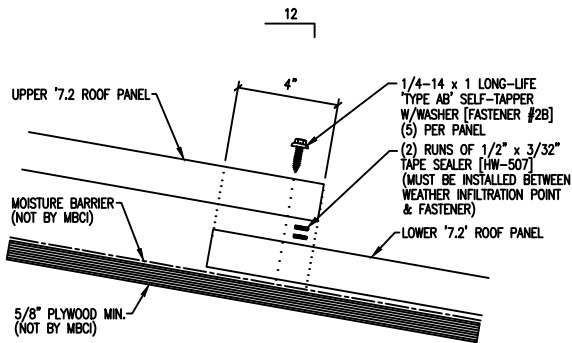
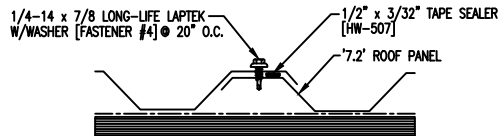


**ENDLAP SEALANT DETAIL**



**SECTION 'A-A'**



**SECTION 'B-B'**