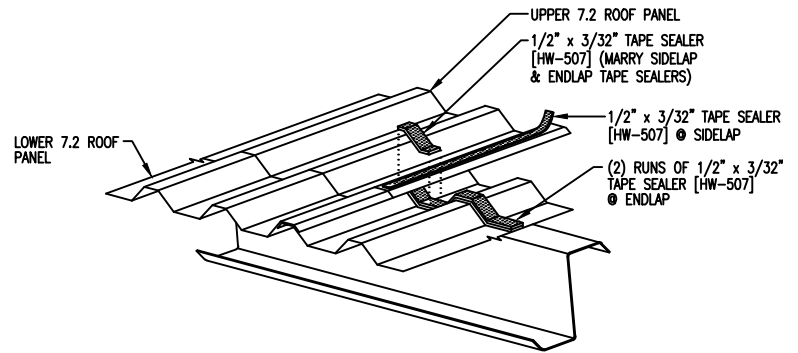
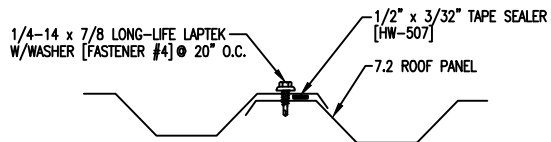


SECTION 'A-A'



ENDLAP SEALANT DETAIL



SECTION 'B-B'