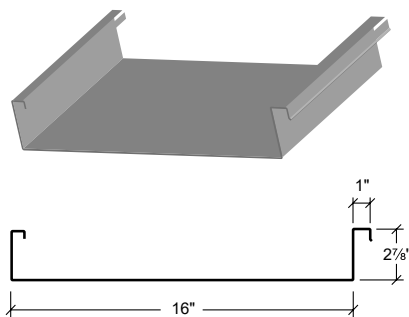




UNDERHUNG CANOPIES

CLASSIC[®] SERIES

The Classic[®] Series is a time-tested performer. Through the years, this panel has been used for canopies, walkway covers and soffits. Proven capabilities make this a versatile and valuable design tool. The Classic[®] Series creates a clean, flush appearance when used as a canopy system.



Features and Benefits:

- Panels may be secured to the structure by using clips or expansion fasteners. Both are positive fastened methods that create a secure interlock between the panel and structure.
- This versatile panel can be attached to the bottom of the roof structural system whether it is light gauge framing, purlins, structural steel or joists. When specifying the Classic[®] Series, please note the panel surface to be painted (top or bottom).

Product Specifications

- **Applications:** Soffit
- **Coverage Widths:** 16"
- **Panel Attachment:** Concealed Fastening System
- **Gauges:** 24 (standard); 22 (optional)
- **Finishes:** Smooth (standard); Embossed (optional)
- **Coatings:** Galvalume Plus[®], Signature[®] 200, Signature[®] 300, Signature[®] 300 Metallic

CATEGORY	CHARACTERISTIC	TEST METHOD	PURPOSE	RESULT
STRUCTURAL	Negative Wind Loads	AISI S100	North American Specification for the Design of Cold-Formed Steel Structural Members	See Section Properties and Allowable Load Table Section
	Gravity Loads	AISI S100	North American Specification for the Design of Cold-Formed Steel Structural Members	See Section Properties and Allowable Load Table Section

Descriptions and specifications contained herein were in effect at the time this publication was approved for printing. In a continuing effort to refine and improve products, MBCI reserves the right to discontinue products at any time or change specifications and/or designs without incurring obligation. To ensure you have the latest information available, please inquire or visit our website at www.mbc.com. Application details are for illustration purposes only and may not be appropriate for all environmental conditions, building designs or panel profiles. Projects should be designed to conform to applicable building codes, regulations and accepted industry practices. If there is a conflict between this manual and project erection drawings, the erection drawings will take precedence. MBCI's insulated metal panel product line is manufactured by Metl-Span[®]. © 2020 MBCI[®], part of the Cornerstone Building Brands family. All rights reserved. 0706209991110/RevA/MS/0720