

## CONCEALED FASTENING SYSTEMS

# MASTERLINE 16<sup>®</sup>

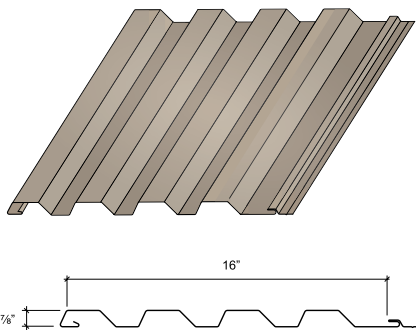
MasterLine 16<sup>®</sup> is a concealed fastener metal wall panel that provides an interesting shadow line, enhancing the aesthetics of the panel. While primarily designed for horizontal applications, it can also be installed vertically to give a distinguished architectural design. The panels provide 16" coverage and are available with factory applied mastic in the side laps. Panels may be attached to metal studs, with or without sheathing, as well as to subgirts.

### Features and Benefits:

- Can be installed over a variety of substructures, including continuous insulation and sub girts
- Available for horizontal or vertical applications
- Available with factory mastic for superior air and water infiltration resistance
- Available in a wide variety of colors and gauges
- Factory corners available

### Product Specifications

- **Applications:** Wall
- **Coverage Widths:** 16"
- **Panel Attachment:** Concealed Fastening System
- **Gauges:** 24 (standard); 22, 20, 18 (optional)
- **Finishes:** Smooth (standard); Embossed (optional; 24 and 22 gauge only)
- **Coatings:** Galvalume Plus<sup>®</sup>, Signature<sup>®</sup> 200, Signature<sup>®</sup> 300, Signature<sup>®</sup> 300 Metallic





# MASTERLINE 16<sup>®</sup>

## CONCEALED FASTENING SYSTEMS

CATEGORY	CHARACTERISTIC	TEST METHOD	PURPOSE	RESULT
ENVIRONMENTAL	Air leakage	ASTM E283	Determines the air leakage rates of exterior windows, curtain walls, and doors under specified air pressure differences across the specimen	0.002 cfm/ft <sup>2</sup> at 6.24 psf static pressure 0.003 cfm/ft <sup>2</sup> at 12.00 psf static pressure
	Water Penetration	ASTM E331	Determines the resistance of exterior windows, curtain walls, skylights, and doors to water penetration when water is applied under uniform static air pressure difference	No uncontrolled water penetration through the panel joints at a static pressure of 20.00 psf
STRUCTURAL	Negative Wind Loads	ASTM E 1592	Provides a standard procedure to evaluate or confirm structural performance under uniform static air pressure difference	See Load Chart Section
	Positive Wind Loads	ASTM E 1592	Provides a standard procedure to evaluate or confirm structural performance under uniform static air pressure difference	See Load Chart Section

Descriptions and specifications contained herein were in effect at the time this publication was approved for printing. In a continuing effort to refine and improve products, MBCI reserves the right to discontinue products at any time or change specifications and/or designs without incurring obligation. To ensure you have the latest information available, please inquire or visit our website at [www.mbc.com](http://www.mbc.com). Application details are for illustration purposes only and may not be appropriate for all environmental conditions, building designs or panel profiles. Projects should be designed to conform to applicable building codes, regulations and accepted industry practices. If there is a conflict between this manual and project erection drawings, the erection drawings will take precedence. MBCI's insulated metal panel product line is manufactured by Metl-Span<sup>®</sup>. © 2020 MBCI<sup>®</sup>, part of the **Cornerstone Building Brands** family. All rights reserved. 0706209991112/RevA/MS/0720

