



BATTENLOK[®] HS

Field Seaming Tool Manual

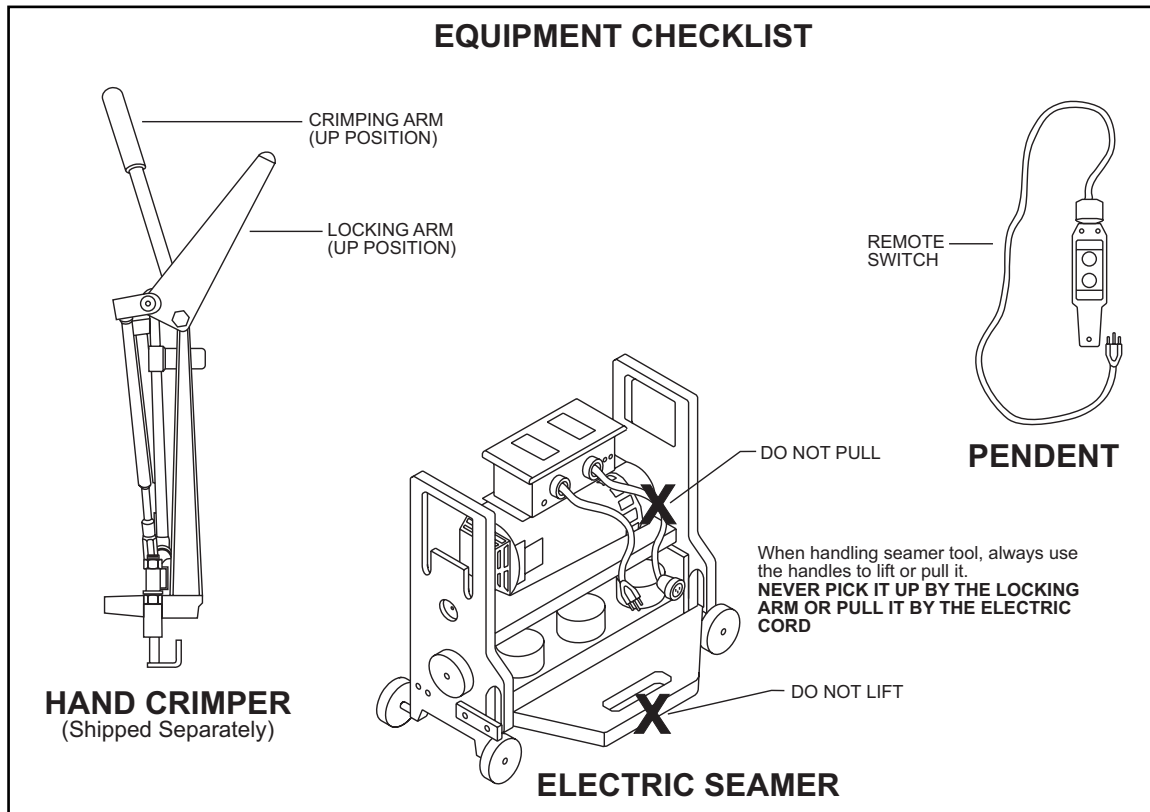
BattenLok[®] HS Seaming Information

The seamer and the hand crimper are shipped in individual specially designed boxes accompanied by a field manual. **Read the field manual thoroughly before starting the seaming operation. Failure to adhere to these instructions will result in damage to the seamer and/or panels. The erector will be held liable for any costs incurred for replacement or repair.**

Pre-Seaming Information

1. Locate field manual in the hand crimper or seamer box and review operational procedures.
2. Locate power source and check against power requirements in field manual.
3. Check seams for proper engagement.
4. Clean dirt, debris and excess sealant from seams and panel surfaces to avoid interfering with the seaming operation.
5. Panels must be hand crimped at each clip and endlap as they are installed to prevent their separation by a strong wind. Panels should be seamed with electric seaming tool as soon as possible after installation.

EQUIPMENT CHECKLIST



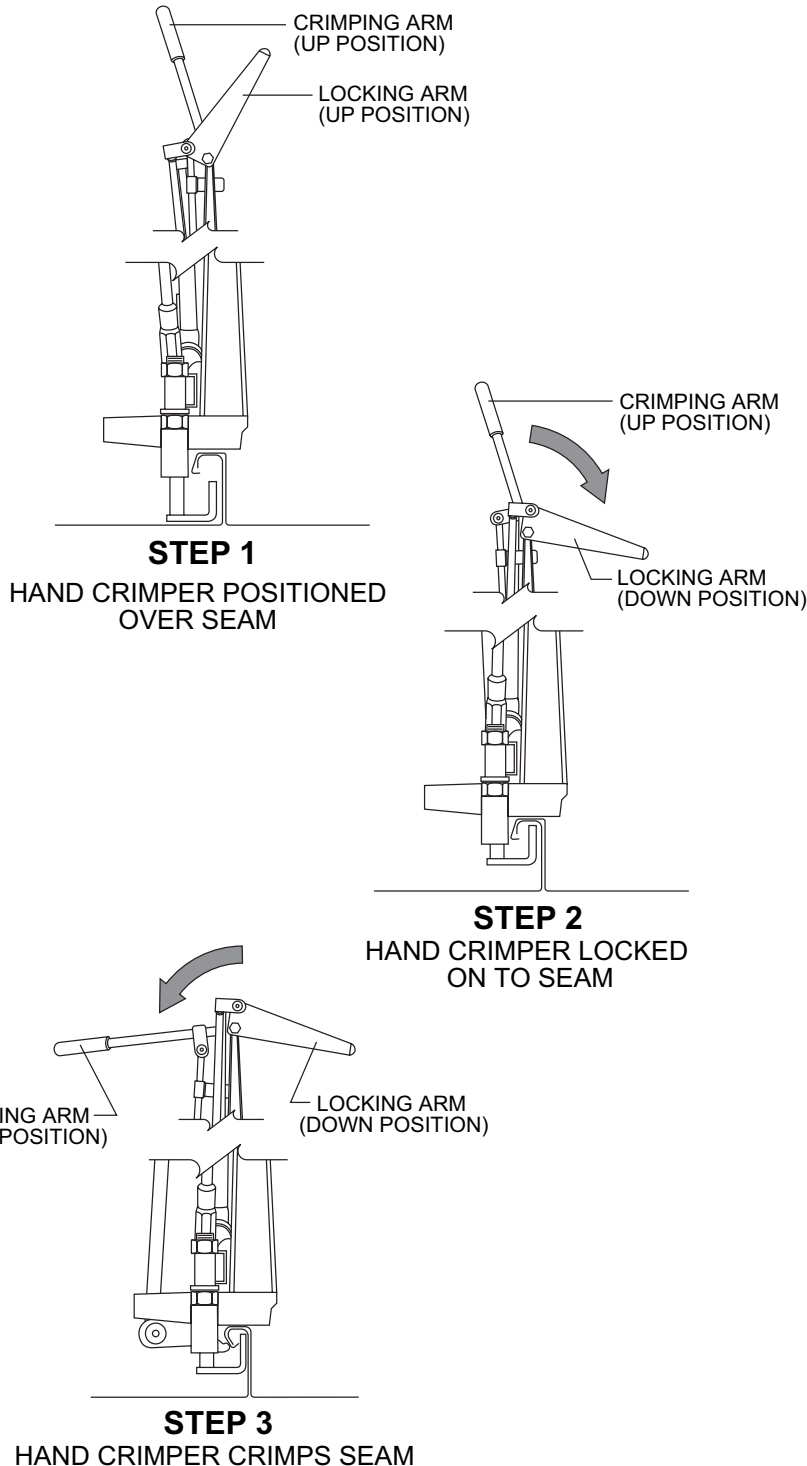
ERECTOR RESPONSIBILITY

This Seaming Equipment Kit was checked before shipment and found to be complete and in proper working condition. Upon receipt of this kit, inspect for any damage that may occurred during shipment. If any damage is discovered, call MBCI immediately for instructions.

It is the erector's responsibility to become familiar with, and operate, the seaming equipment in accordance with the instructions provided in this manual using safe construction practices. Failure to adhere to these instructions could result in damage to the seaming equipment and/or roof panels, or injury to erection personnel.

SEAMER MANUAL

BATTENLOK[®] HS



SEAMING OPERATION Hand Crimper

As panels are installed, hand seam at each clip with hand crimper. Panels should be completely seamed with electric seamer as soon as possible.

Push locking arm down to lock hand crimper onto seam. If difficulty is encountered, check to make sure that hand crimper is properly aligned on seam. **Do not force locking arm.**

Push crimping arm down to crimp panel. Return both the crimping arm and locking arm to the up position and remove tool from seam.

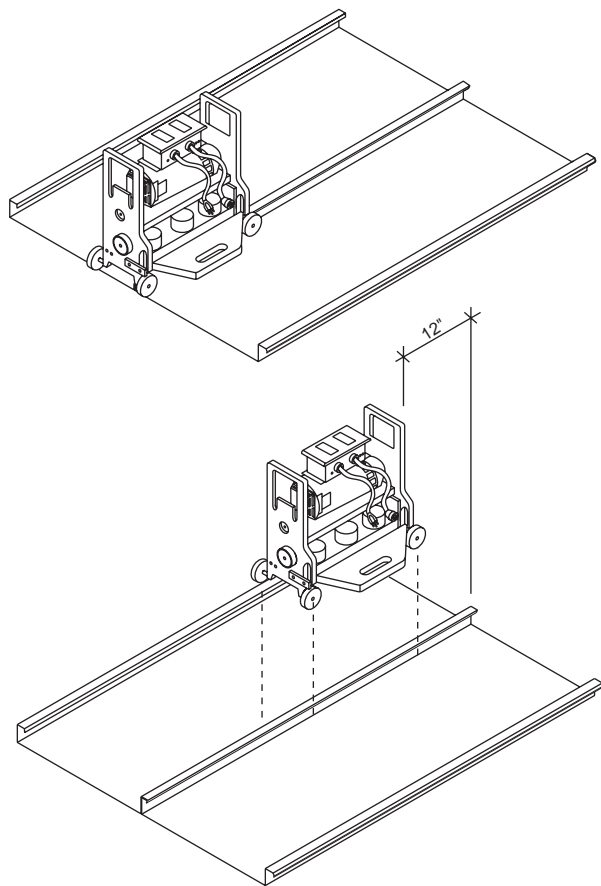
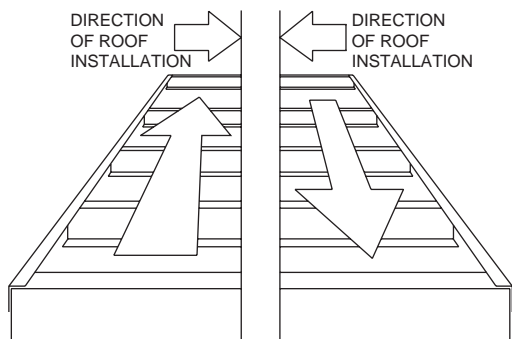
Houston: 877/713-6224
 Adel, GA 888/446-6224
 Atlanta, GA 877/512-6224
 Atwater, CA 800/829-9324
 Dallas, TX 800/653-6224
 Indianapolis, IN 800/735-6224

Lubbock, TX 800/758-6224
 Memphis, TN 800/206-6224
 Oklahoma City, OK 800/597-6224
 Omaha, NE 800/458-6224
 Phoenix, AZ 888/533-6224
 Richmond, VA 800/729-6224

Rome, NY 800/559-6224
 Salt Lake City, UT 800/874-2404
 San Antonio, TX 800/598-6224
 Tampa, FL Sales Office 800/359-6224



BATTENLOK® HS SEAMER MANUAL



SEAMING OPERATION

Electric Seamer

The electric seamer will run upslope and downslope and is controlled by a hand held forward and reverse remote switch. The seamer will form the seam in either direction. When the panels are installed from right to left forward is upslope and when panels are installed left to right forward is downslope. An orientation plate on the seamer indicates forward and reverse. **When the roof has endlaps, the panels will always be installed right to left.**

The remote switch is designed to stop the seamer when the button is released.

On lower sloped roofs walking with the seamer is recommended.

On steep sloped roofs (6:12 and greater) a 12-gauge extension cord (not by MBCI) may be installed between the remote switch and the seamer. Seaming can then be accomplished by starting the seamer at the eave from a safety lift. When using this method the seam will be formed upslope and then the seamer will be reversed down the seam to the eave, removed, and placed on the next seam. During panel installation hand crimp the end of the panels 12" downslope from the ridge or high side of the roof. Stop the seamer at this point to prevent the seamer from running into the flashing or running off the roof.

To begin seaming, set the seamer on the seam with the locking arm up and to the open side of the seam. The wheels should be even with the edge of the panel. Push the locking arm down to engage the tools and turn the seamer on.

CAUTION

- Seamer operation should be closely supervised at all times.
- A safety line should be attached to the seamer.
- Be aware of which direction the seamer will move before engaging the switch.
- Do not entangle the electrical cords in the seamer tooling while it is in operation. This could cause serious injury or death to the operator and severely damage the seamer.
- Electrical cords should be 10-gauge to provide power to the seamer and never be over 200 feet from the electrical source.
- **The seamer will move approximately 6 to 8 inches after the hand switch is released.**
- **Bring seamer to a complete stop before changing direction.**

SEAMER SPECIFICATIONS AND MAINTENANCE

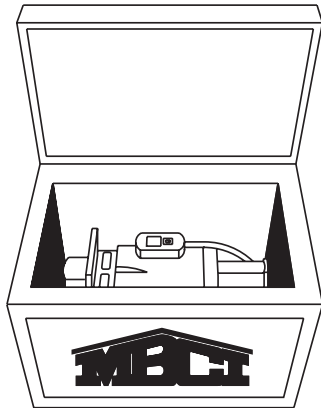
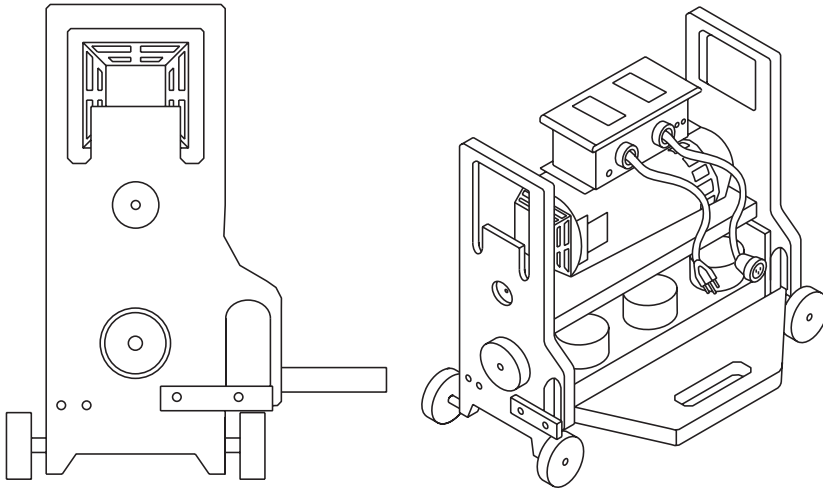
Seamer will seam 50 TO 60 F.P.M. depending on gauge of panels and pitch of roof.

Seamer has 10 or 15 amp., 120 v., AC/DC motor.

Seamer should be cleaned with a nonflammable solvent, often, to prevent a build-up of galvalume or sealant on the rolls. **DO NOT SPILL CLEANING SOLVENT ON ROOF PANELS. THIS WILL VOID THE WARRANTIES ON THE ROOF PANELS FINISHES.**

Any adjustments, maintenance, modification, or repair not otherwise specifically set forth in this manual, must be conducted by MBCI.

If seamer motor should stop suddenly, check reset button located on the side of the electrical box on top of seamer motor. **CONTINUED RESETTING OF MOTOR COULD BE INDICATIVE OF LOW VOLTAGE AND WILL CAUSE DAMAGE TO SEAMING MACHINE.** Check size and length of electric cords. If problem still persists, use an alternate power source.



SHIPPING INSTRUCTIONS

Replace the seaming machine in the box. All items should be clean and in proper working condition. A \$50 minimum charge will be assessed for equipment improperly cleaned or damaged.

Return seamer as soon as you are finished. A preprinted waybill is in the seamer box. Call the phone number listed on the waybill to have it picked up. If possible, call the shipper the day before you are finished.

SEAMER SHIPPING WEIGHT — 147 LBS.

HAND CRIMPER SHIPPING WEIGHT - 42 LBS.

Descriptions and specifications contained herein were in effect at the time this publication was approved for printing. In a continuing effort to refine and improve products, MBCI reserves the right to discontinue products at any time or change specifications and/or designs without incurring obligation. **To insure you have the latest information available, please inquire or visit our Web Site at <http://www.mbc.com>.** Application details are for illustration purposes only and may not be appropriate for all environmental conditions, building designs, or panel profiles. Projects should be engineered to conform to applicable building codes, regulations, and accepted industry practices. Insulation is not shown in these details for clarity. **If there is a conflict between this manual and the erection drawings, the erection drawings will take precedence.**



Metal Roof and Wall Systems

Houston: 877/713-6224
Adel, GA 888/446-6224
Atlanta, GA 877/512-6224
Atwater, CA 800/829-9324
Dallas, TX 800/653-6224
Indianapolis, IN 800/735-6224

Lubbock, TX 800/758-6224
Memphis, TN 800/206-6224
Oklahoma City, OK 800/597-6224
Omaha, NE 800/458-6224
Phoenix, AZ 888/533-6224
Richmond, VA 800/729-6224

Rome, NY 800/559-6224
Salt Lake City, UT 800/874-2404
San Antonio, TX 800/598-6224
Tampa, FL Sales Office 800/359-6224