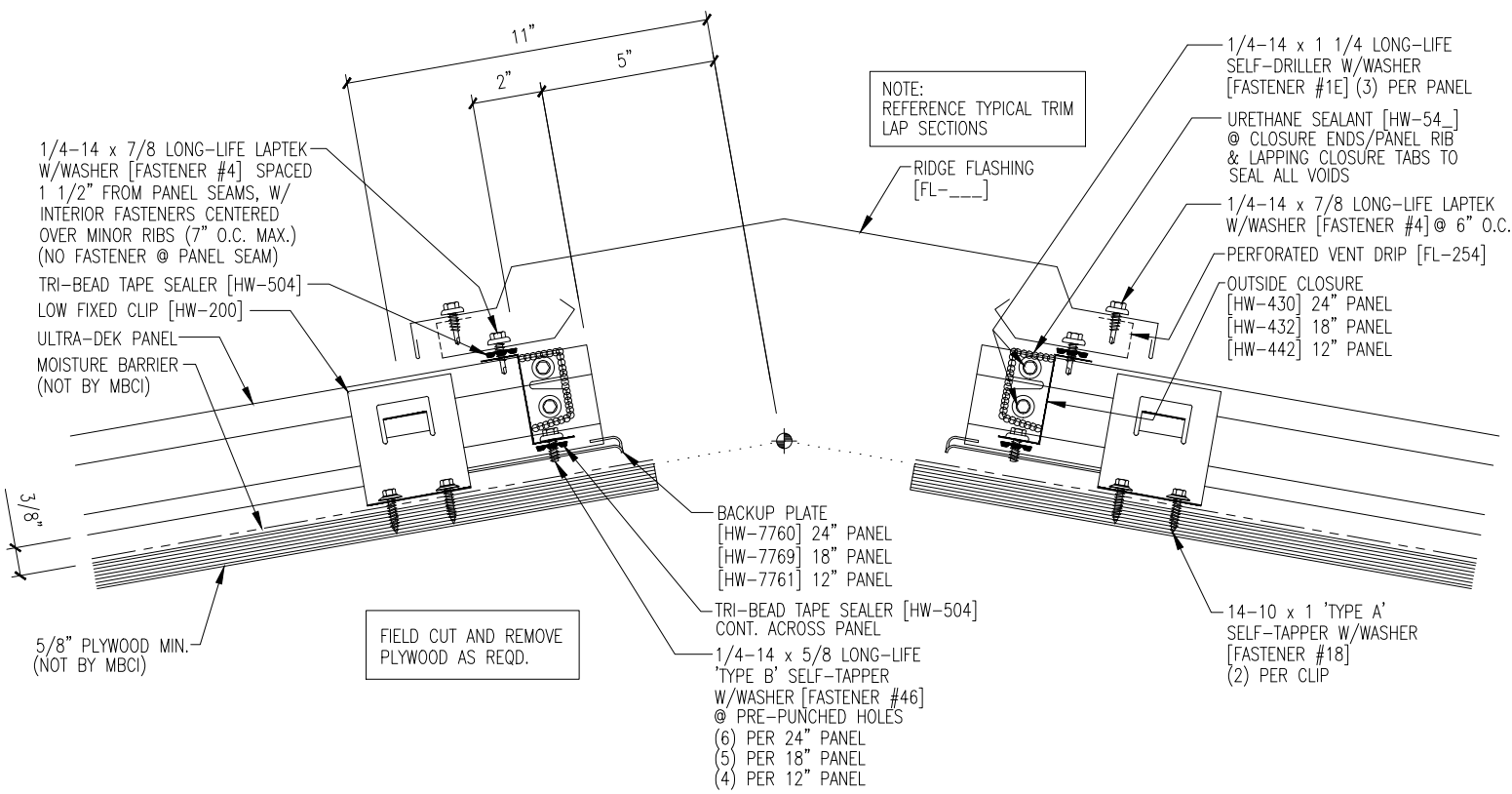


12

12



1/4-14 x 7/8 LONG-LIFE LAPTEK W/WASHER [FASTENER #4] SPACED 1 1/2" FROM PANEL SEAMS, W/ INTERIOR FASTENERS CENTERED OVER MINOR RIBS (7" O.C. MAX.) (NO FASTENER @ PANEL SEAM)

TRI-BEAD TAPE SEALER [HW-504]

LOW FIXED CLIP [HW-200]

ULTRA-DEK PANEL

MOISTURE BARRIER (NOT BY MBCI)

NOTE: REFERENCE TYPICAL TRIM LAP SECTIONS

1/4-14 x 1 1/4 LONG-LIFE SELF-DRILLER W/WASHER [FASTENER #1E] (3) PER PANEL

URETHANE SEALANT [HW-54_] @ CLOSURE ENDS/PANEL RIB & LAPPING CLOSURE TABS TO SEAL ALL VOIDS

1/4-14 x 7/8 LONG-LIFE LAPTEK W/WASHER [FASTENER #4] @ 6" O.C.

PERFORATED VENT DRIP [FL-254]

OUTSIDE CLOSURE [HW-430] 24" PANEL [HW-432] 18" PANEL [HW-442] 12" PANEL

3/8"

5/8" PLYWOOD MIN. (NOT BY MBCI)

FIELD CUT AND REMOVE PLYWOOD AS REQD.

BACKUP PLATE [HW-7760] 24" PANEL [HW-7769] 18" PANEL [HW-7761] 12" PANEL

TRI-BEAD TAPE SEALER [HW-504] CONT. ACROSS PANEL

1/4-14 x 5/8 LONG-LIFE 'TYPE B' SELF-TAPPER W/WASHER [FASTENER #46] @ PRE-PUNCHED HOLES (6) PER 24" PANEL (5) PER 18" PANEL (4) PER 12" PANEL

14-10 x 1 'TYPE A' SELF-TAPPER W/WASHER [FASTENER #18] (2) PER CLIP