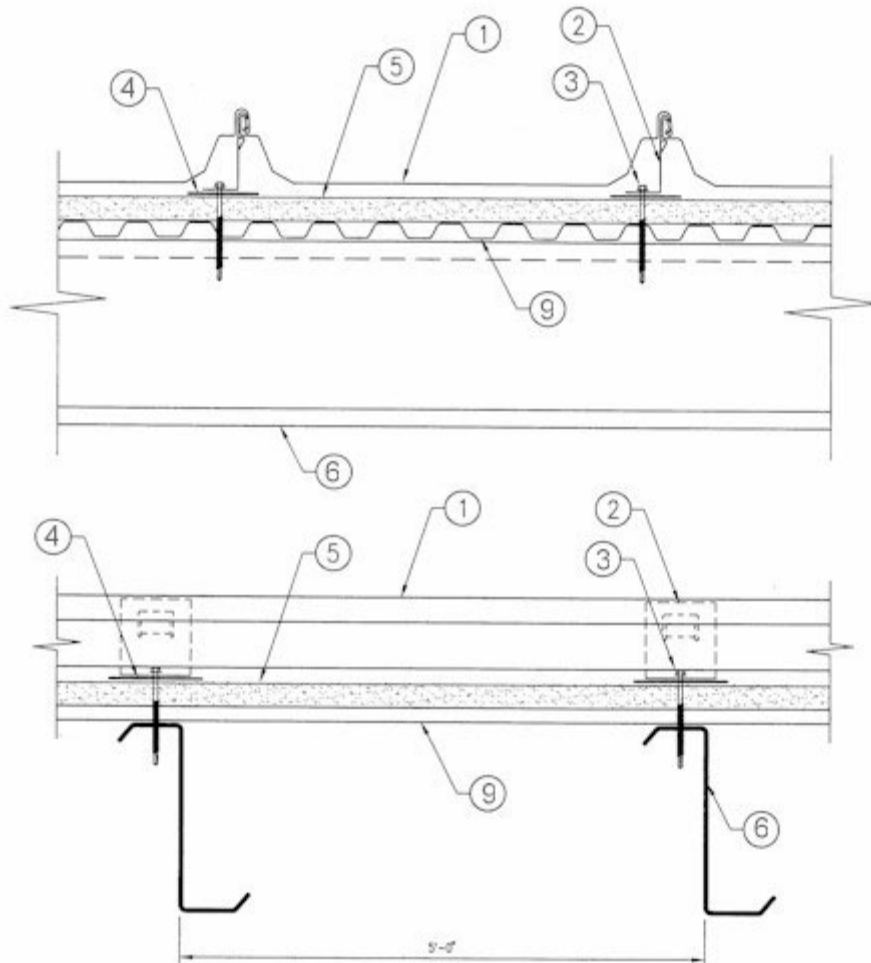


**Construction No. 537**

Uplift - Class 90  
 Fire Not Investigated



**1. Metal Roof Deck Panels\*** No. 24 MSG min. Coated steel panels continuous over two or more spans. End laps to occur adjacent to purlins with panels overlapped 3 inch max. End lap to include back-up plate (Item No. 2A). A line of sealant may be used at panel end and side laps.

- A&S BUILDING SYSTEMS, INC.-"Ultra-Dek"
- GARCO BUILDING SYSTEMS - "Garco Standing Seam-GGS"
- MBCI-"Ultra-Dek"
- MESCO METAL BUILDINGS --"Ultra-Dek"
- NCI BUILDING SYSTEMS LP--"Ultra-Dek"

- UNITED STRUCTURES OF AMERICA INC--"Guardian I".

**2. Roof Deck Fasteners\* - (Panel Clips)** - Two piece floating clip consisting of .030 minimum coated stainless steel or .035 coated steel top section and No. 14 MSG coated steel base. One clip to be used at each purlin location. Guide holes in the bottom of clip to accommodate two (2) screw fasteners.

- NCI BUILDING SYSTEMS LP - "High or Low Floating Clip"

**2A. Roof Deck Fasteners\* - (End lap Back-up Plate) - (not shown)** No. 16 MSG minimum gauge coated steel.

- NCI BUILDING SYSTEMS LP -"Back-Up Plate"

The 1 1/2 inch wide by 16 MSG upper section can be used as an alternate. When using the upper section, only five (5) fasteners are required at the end lap.

**3. Fasteners - (Screws)** - Fasteners to attach panel clips and bearing plates (Items Nos. 2, and 4) through rigid (Item No. 5) insulation and liner panel (Item No. 11) into steel purlin (Item No. 6) to be No. 14 self-tapper. Fastener length to be a minimum of 1/2 inch longer than the total thickness of the rigid insulation (Item No. 5) and the metal liner panel (Item No. 9). Two (2) fasteners per clip. As an alternate fastener a No. 12 self-drilling, self-tapping fastener may be used. Fasteners used at end laps to be 1/4-14 by 1 inch long self-drilling, hex-head plated steel screws with 5/8 inch O.D. metal backed sealing washer. Alternate fastener at end laps to be No. 14 by 1 1/4 self-drilling, self-tapping hex-head plated steel screw with 5/8 inch O.D. metal backed sealing washer. Spacing for end lap screws to be 3 1/4, 3 1/2, 3 1/2, 3 1/2, 3 1/2, 3 1/2, 3 1/4 inch pattern. An additional fastener is to be located at the second slanted segment of the rib on both sides of the panel. (8 fasteners per panel).

**4. Bearing Plate** - No. 16 MSG gauge coated steel flat bearing plate. Used under panel clips (Item No. 2) for support.

**5. Rigid Insulation** - Foamed plastic, minimum 1 inch thickness, maximum thickness 6 inches.

**6. Purlins** - No. 16 MSG minimum thickness steel (minimum yield strength 40,000 psi) or min. "H" series open-web joists.

**7. Building Units\* - (Optional)** - (Not Shown) - Translucent reinforced plastic panels. Nominal thickness 1/16 inch, formed to the same configuration as the metal roof deck panel pans, with reinforcement cut from classified metal roof deck panels (Item No. 1). Metal reinforcement attached to translucent reinforced plastic side segments with aluminum pop rivets. Panels continuous over two or more spans.

- NCI BUILDING SYSTEMS LP - "Ultra-Dek Light Transmitting Panel"

**8. Reinforcing Plate** - (Not shown) No. 18 MSG minimum gauge coated steel, 6 inches wide two vertical legs on both sides and formed to the configuration of the metal roof deck panel (Item No. 1). Used at the mid-span purlin of building unit (Item no. 7).

**9. Liner Panel - (optional)** - No. 29 MSG minimum thickness coated steel. Min. depth 9/16 inches with ribs spaced at 2.57 inches O.C. (Minimum Yield 80,000 psi).

\*Bearing the UL Classification Marking.