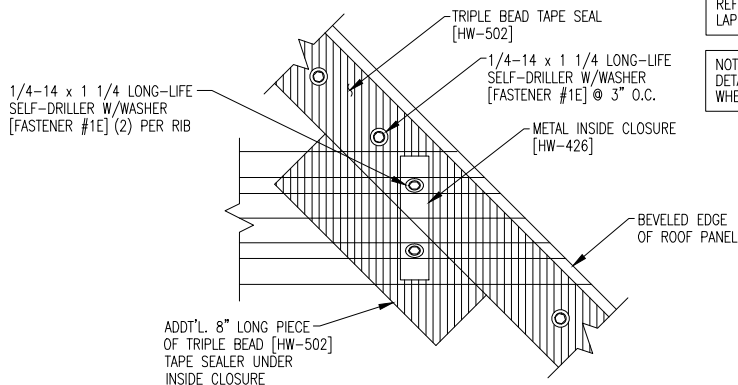


NOTE:  
REFERENCE TYPICAL TRIM  
LAP SECTIONS

NOTE:  
DETAIL TO BE USED WITH HIGH SLIDING SYSTEM  
WHEN 1" TALL EAVE PLATE IS USED AT THE EAVE



DETAIL "A"