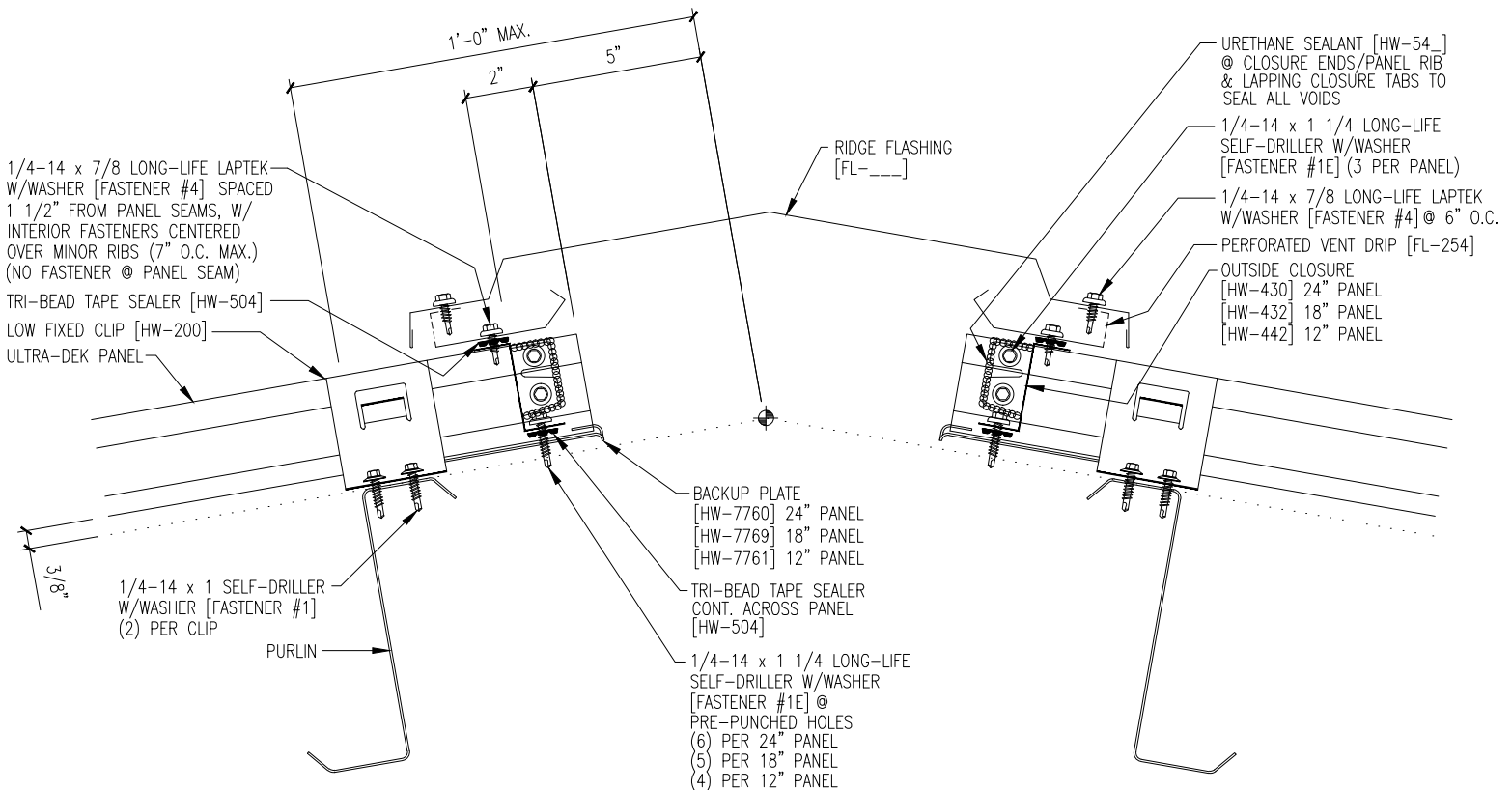


12

12



NOTE:  
REFERENCE TYPICAL TRIM  
LAP SECTIONS