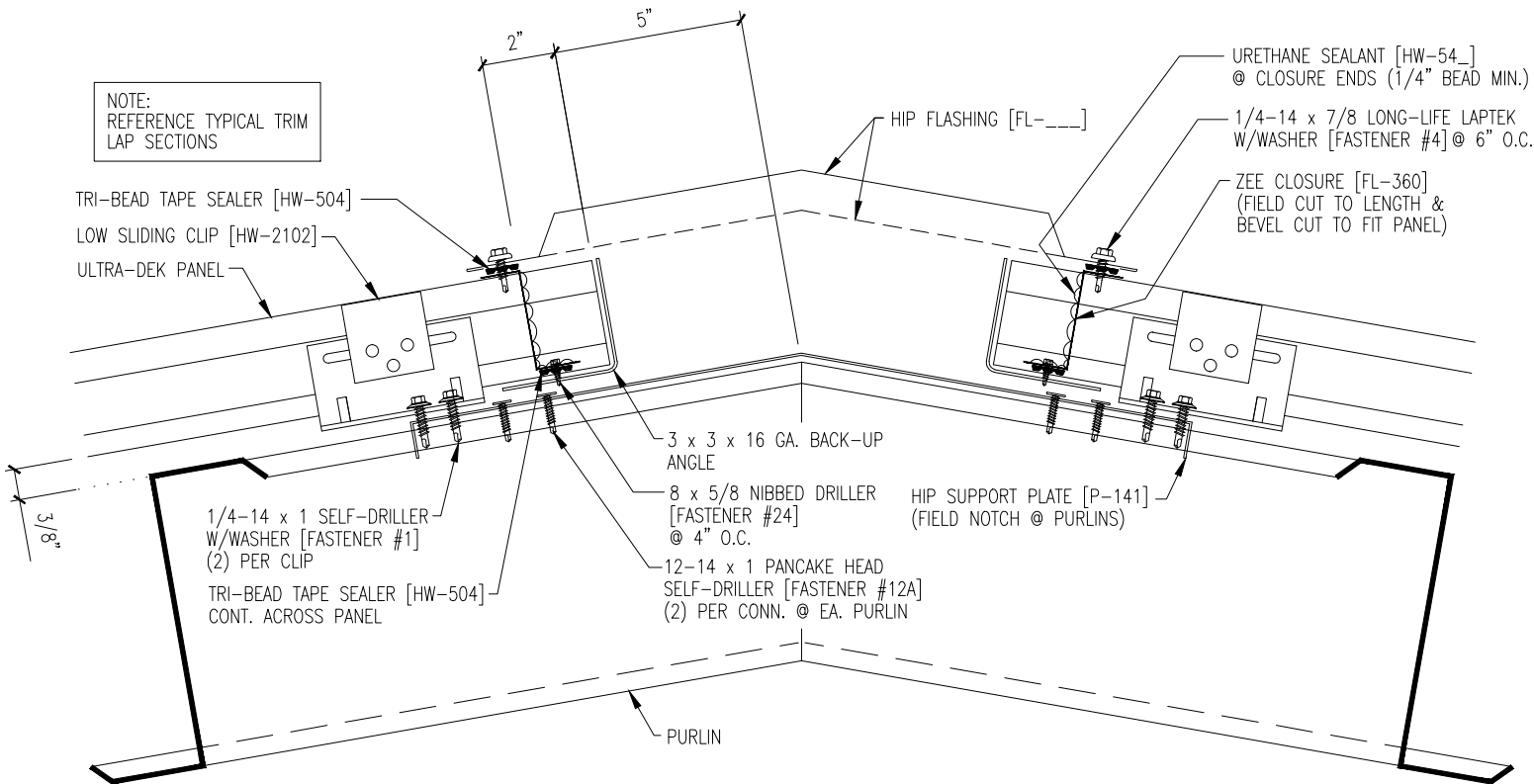


NOTE:
REFERENCE TYPICAL TRIM
LAP SECTIONS



TRI-BEAD TAPE SEALER [HW-504]
LOW SLIDING CLIP [HW-2102]
ULTRA-DEK PANEL

URETHANE SEALANT [HW-54_] @ CLOSURE ENDS (1/4" BEAD MIN.)
1/4-14 x 7/8 LONG-LIFE LAPTEK W/WASHER [FASTENER #4] @ 6" O.C.
ZEE CLOSURE [FL-360] (FIELD CUT TO LENGTH & BEVEL CUT TO FIT PANEL)

1/4-14 x 1 SELF-DRILLER W/WASHER [FASTENER #1] (2) PER CLIP
TRI-BEAD TAPE SEALER [HW-504] CONT. ACROSS PANEL

3 x 3 x 16 GA. BACK-UP ANGLE
8 x 5/8 NIBBED DRILLER [FASTENER #24] @ 4" O.C.
12-14 x 1 PANCAKE HEAD SELF-DRILLER [FASTENER #12A] (2) PER CONN. @ EA. PURLIN

HIP SUPPORT PLATE [P-141] (FIELD NOTCH @ PURLINS)

PURLIN

3/8"

2" 5"