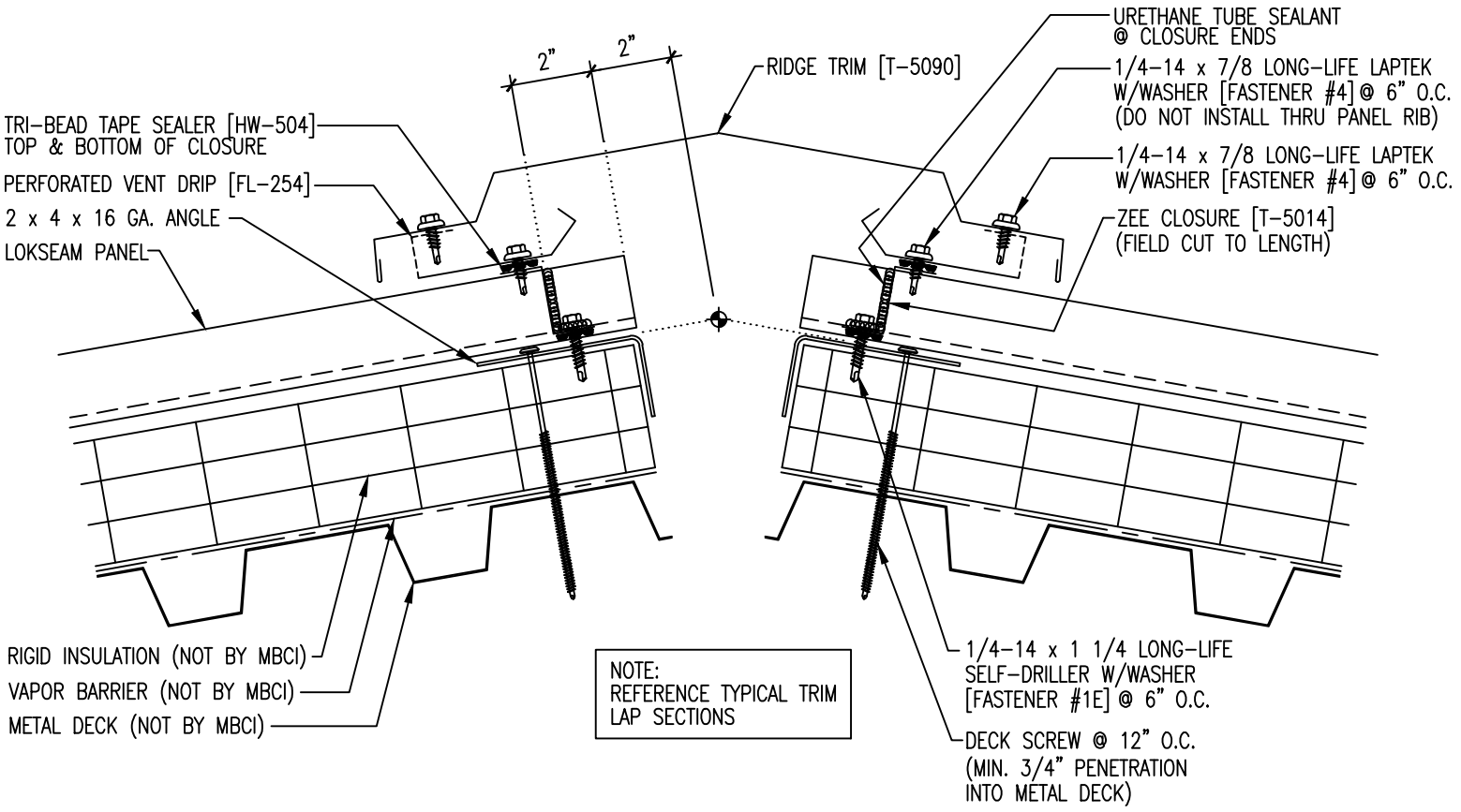


12

12



TRI-BEAD TAPE SEALER [HW-504]
TOP & BOTTOM OF CLOSURE
PERFORATED VENT DRIP [FL-254]
2 x 4 x 16 GA. ANGLE
LOKSEAM PANEL

RIGID INSULATION (NOT BY MBCI)
VAPOR BARRIER (NOT BY MBCI)
METAL DECK (NOT BY MBCI)

NOTE:
REFERENCE TYPICAL TRIM
LAP SECTIONS

1/4-14 x 1 1/4 LONG-LIFE
SELF-DRILLER W/WASHER
[FASTENER #1E] @ 6" O.C.
DECK SCREW @ 12" O.C.
(MIN. 3/4" PENETRATION
INTO METAL DECK)