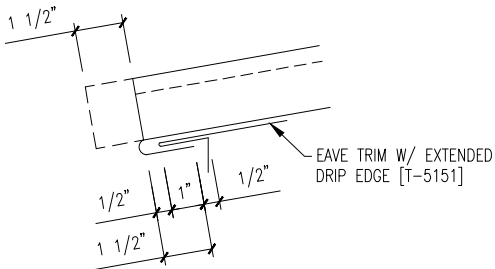


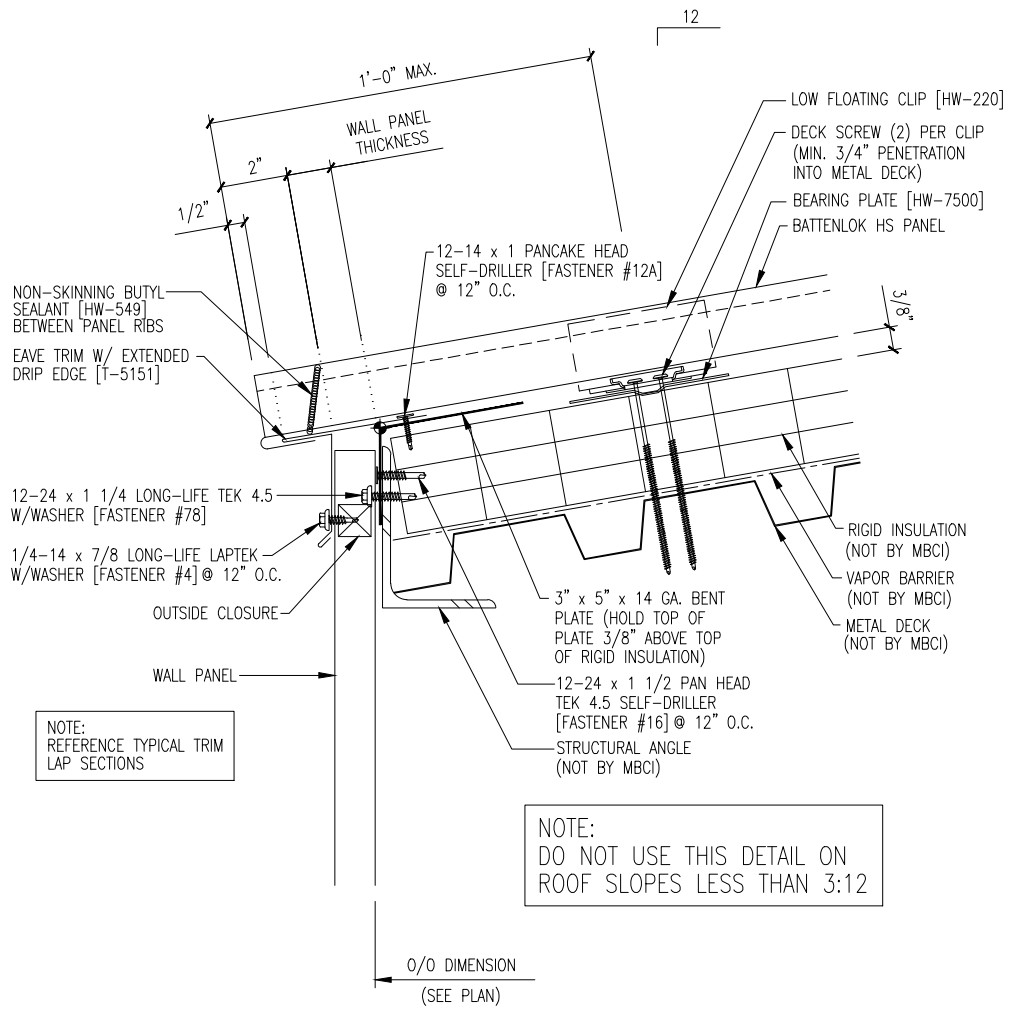
EAVE SEALANT DETAIL

BUTYL SEALANT MUST COME IN CONTACT WITH THE DRIP EDGE TO FORM A WEATHERTIGHT SEAL



PANEL ENGAGEMENT DETAIL

FIELD NOTCH PANEL AS REQ'D. & BEND PAN TO FORM OPEN HEM



NOTE: REFERENCE TYPICAL TRIM LAP SECTIONS

NOTE: DO NOT USE THIS DETAIL ON ROOF SLOPES LESS THAN 3:12