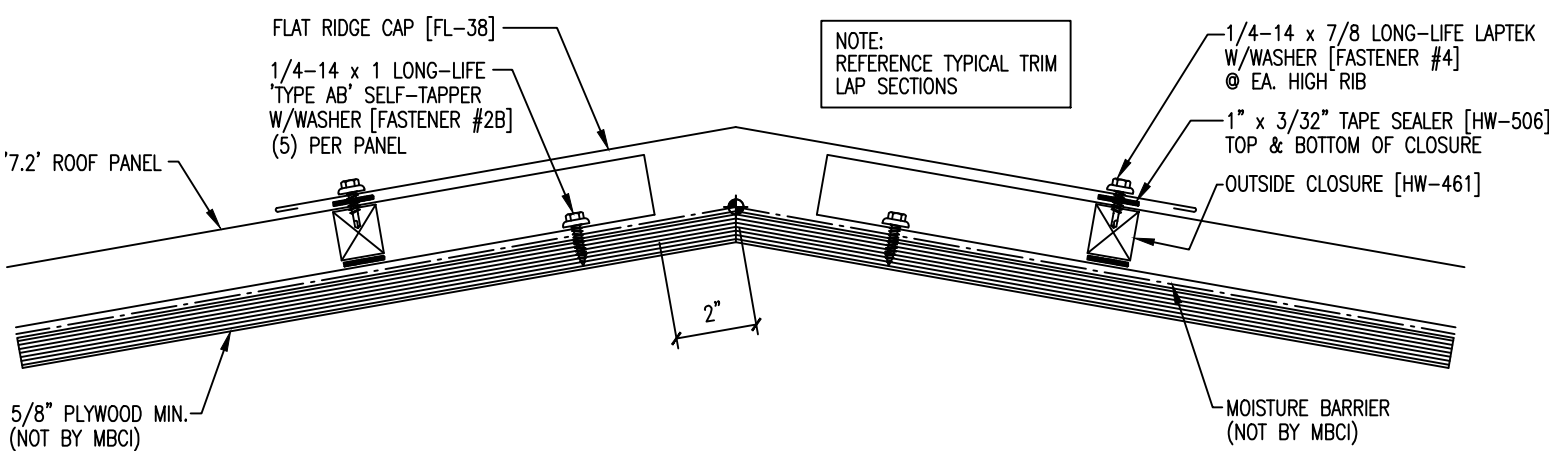


12

12



FLAT RIDGE CAP [FL-38]

1/4-14 x 1 LONG-LIFE 'TYPE AB' SELF-TAPPER W/WASHER [FASTENER #2B] (5) PER PANEL

7.2' ROOF PANEL

5/8" PLYWOOD MIN. (NOT BY MBCI)

NOTE: REFERENCE TYPICAL TRIM LAP SECTIONS

1/4-14 x 7/8 LONG-LIFE LAPTEK W/WASHER [FASTENER #4] @ EA. HIGH RIB

1" x 3/32" TAPE SEALER [HW-506] TOP & BOTTOM OF CLOSURE

OUTSIDE CLOSURE [HW-461]

MOISTURE BARRIER (NOT BY MBCI)

2"