

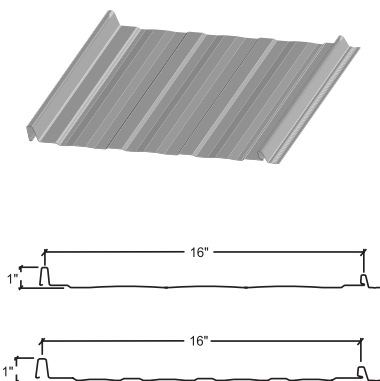


## CONCEALED FASTENING SYSTEMS

# SLIMLINE®



The Slimline® roof panel system offers a sleek contemporary profile ideal for residential and light commercial applications. This system offers a concealed fastener attachment. Slimline® panels must be specified as striated or striated with minor ribs. Slimline® cannot be endlapped.



### Features and Benefits:

- UL 580 ratings are available, as well as UL 790, Class A for external fire, roof assembly for UL 263 for internal fire and the UL 2218 Class 4 impact rating.
- Slimline® carries Florida approval.

### Product Specifications

- **Applications:** Roof
- **Coverage Widths:** 16"
- **Rib Height:** 1"
- **Minimum Slope:** 3:12
- **Panel Attachment:** Concealed Fastening System
- **Gauges:** 29 (standard); 26 (optional)
- **Finishes:** Striations (standard); Minor Rib Striations (optional)
- **Coatings:** Galvalume Plus®, Signature® 200



# SLIMLINE®

## CONCEALED FASTENING SYSTEMS

CATEGORY	CHARACTERISTIC	TEST METHOD	PURPOSE	RESULT
<b>ENVIRONMENTAL</b>	Impact Resistance	UL 2218	Determines Impact Resistance of prepared Roof Covering Materials	Class 4 Rating
<b>FIRE RESISTANCE</b>	Room Fire Performance	UL 790	Standard for Standard Test Methods for Fire Tests of Roof Coverings	See Class A Fire Rating Data Sheet
	Room Fire Performance	UL 263	Standard for Fire Tests of Building Construction and Materials. Requires installation over a non-combustible substrate to qualify for Class A rating. Installation over a combustible substrate qualifies for Class C rating.	For use in Design Nos. P225, P227, P230, P237, P265, P268, P508, P510, P512, P701, P711, P720, P722, P726, P731, P734, P801, P815, P819.
<b>STRUCTURAL</b>	Uplift Resistance	ASTM E 1592	Provides a standard procedure to evaluate or confirm structural performance under uniform static air pressure difference	See Load Chart Section
	Gravity Loads	AISI S100	North American Specification for the Design of Cold-Formed Steel Structural Members	See Section Properties and Allowable Load Table Section
<b>ROOF LISTINGS</b>	Roof Performance - Underwriters Laboratories	UL 580	Determines the uplift resistance of roof assemblies consisting of the roof and roof coverings materials	Class 90 Rating - Construction Number 529
	Roof Performance - Florida Approval	UL 580 UL 1897 UL 790	Florida product approval is the approval of products and systems, which comprise the building envelope and structural frame, for compliance with the structural requirements of the Florida Building Code.	See FL# 11903.7
	Roof Performance - Texas Department of Insurance	UL 580 UL1897	TWIA provides windstorm and hail insurance in areas exposed to hurricanes and currently provides windstorm and hail coverage in the following 14 "first tier" Texas coastal counties: Aransas, Brazoria, Calhoun, Cameron, Chambers, Galveston, Jefferson, Kenedy, Kleberg, Matagorda, Nueces, Refugio, San Patricio and Willacy.	See RC-357

Descriptions and specifications contained herein were in effect at the time this publication was approved for printing. In a continuing effort to refine and improve products, MBCI reserves the right to discontinue products at any time or change specifications and/or designs without incurring obligation. To ensure you have the latest information available, please inquire or visit our website at [mbci.com](http://mbci.com). Application details are for illustration purposes only and may not be appropriate for all environmental conditions, building designs or panel profiles. Projects should be designed to conform to applicable building codes, regulations and accepted industry practices. If there is a conflict between this manual and project erection drawings, the erection drawings will take precedence.

© 2023 MBCI®, part of Cornerstone Building Brands, Inc. ALL RIGHTS RESERVED. 0706209991138/RevB/MS/0123

